

ACERBIS PARTS



A - (1 pcs.)



B - (4 pcs.)



C - (2 pcs.)



D - (2 pcs.)



E - (2 pcs.)



F - (2 pcs.)



G - (1 pcs.)



H - (1 pcs.)



I - (2 pcs.)



L - (2 pcs.)

Fig.1

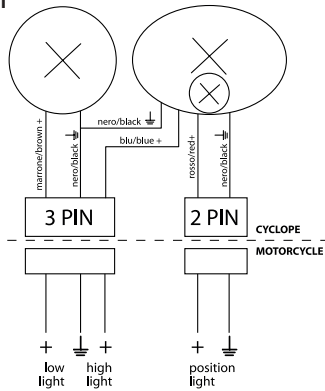


Fig.2

only for offroad

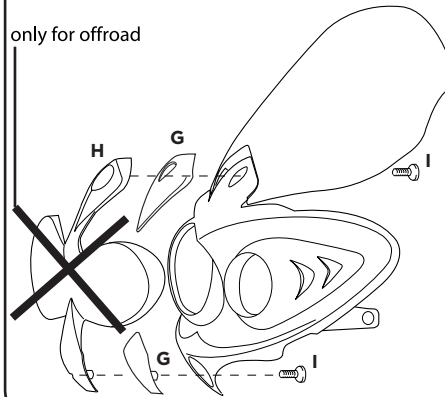


Fig. 3

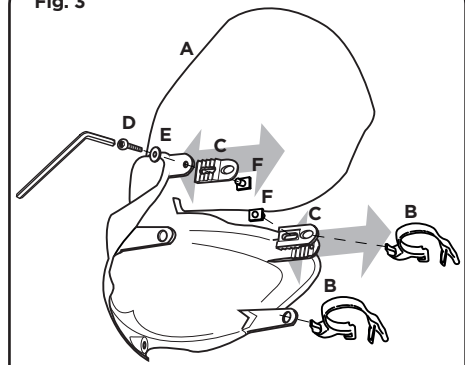
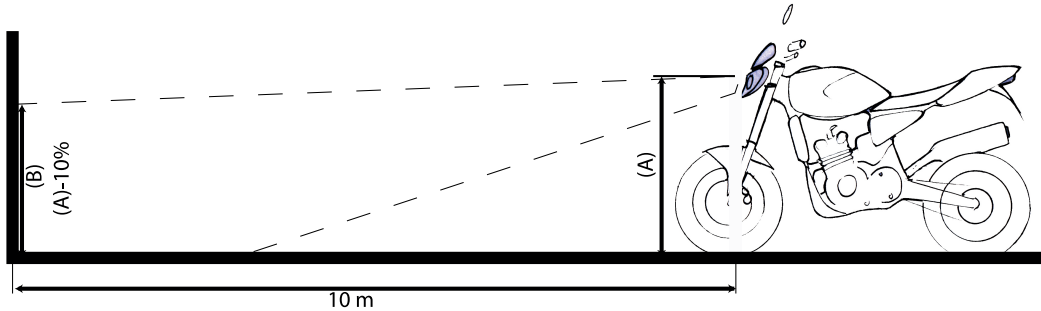


Fig. 4



We thank you for your choosing an ORIGINAL ACERBIS PRODUCT

ASSEMBLY INSTRUCTIONS

- Insert the elastic straps **(B)** in the suitable holes of the mounting plates **(C)**.
- Position the mounting plates **(C)** in the intended area of the template (see fig. 3), fastening it with the screws **(D)**, the washers **(E)** and square nut **(F)** tightening themselves with the allen wrench **(G)**.
- Insert the other two elastic straps below **(B)** in the provided holes of the headlight and then fasten all four elastic straps to the forks.
- To wire headlight to your motorcycle/dirt bike follow the scheme in fig. 1.

Protection for the lights (the protection is not DOT approved)

Complimenti per la tua scelta e ricorda che: l'ORIGINALE è solo ACERBIS

ISTRUZIONI PER IL MONTAGGIO

- Inserire gli elastici **(B)** negli appositi fori delle piastrine dentellate **(C)**.
- Posizionare le piastrine **(C)** negli alloggi dentellati della mascherina (figura 3) fissandole con le viti **(D)**, le rondelle **(E)** e i dadi quadri **(F)** aiutandosi con la chiave a brugola **(G)**.
- Inserire gli altri due elastici sottostanti **(B)** negli appositi fori della mascherina stessa fissando i quattro elastici agli steli della forcella.
- Allacciare il circuito elettrico seguendo lo schema in figura 1.

Applicazione protezione fari (la protezione non è omologata e non consente la circolazione su strada)

WARNING! Of road motorcycle lights regularly fail through vibration. Always check your lights before riding at night. Off road use only. Not legal for use on public highways. Be sure you follow the installation instructions exactly. If the headlamps fall off, it can jam the front wheel. Do not secure cables with number plate mounting straps. Use the guides provided. Before riding, check that all cables, hoses, and controls function properly. The rubber mounting straps are subject to deterioration from atmospheric pollutants. Always inspect them before riding. Never ride unless all four are properly installed and in good condition.

If you have any questions regarding the fit or installation of this product please contact your local **Acerbis dealer**.